

4 3 2 1

D

D

C

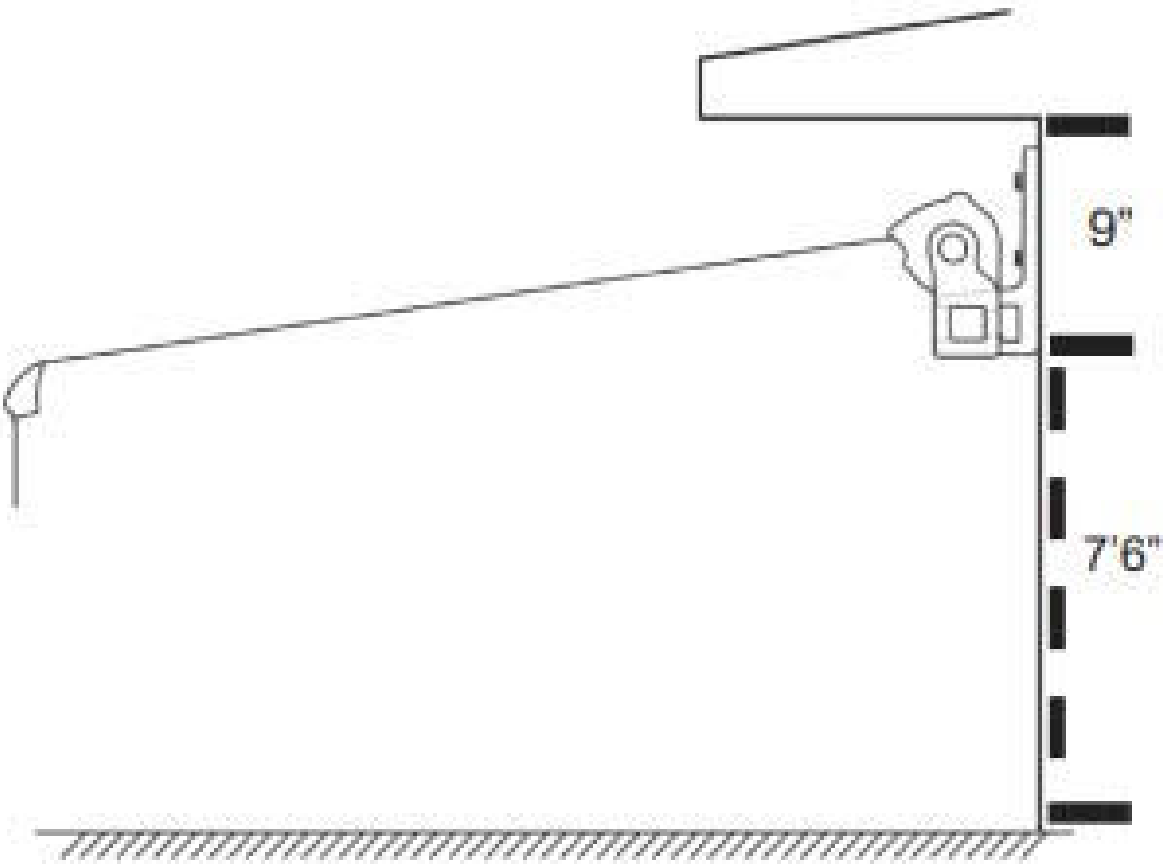
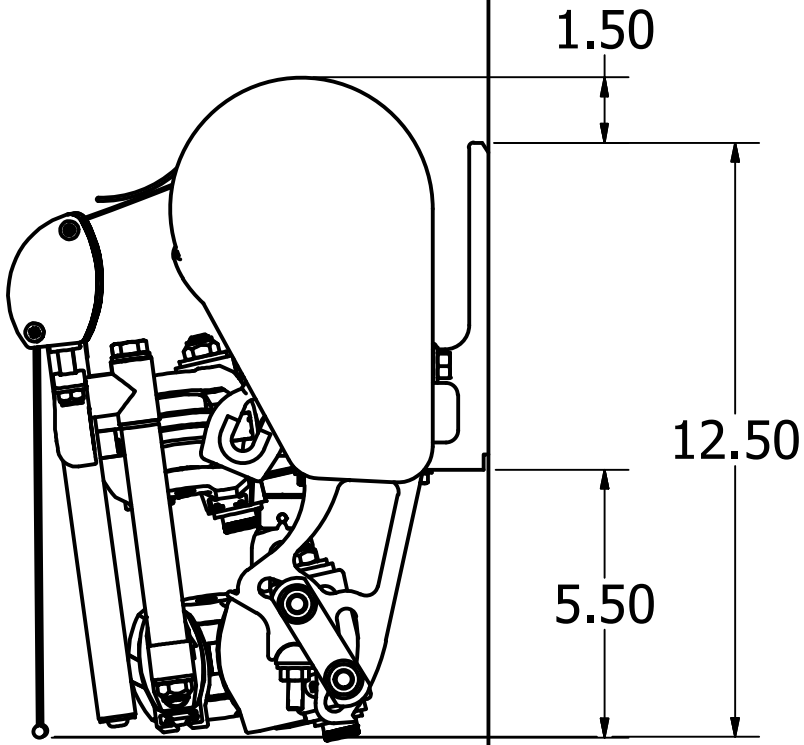
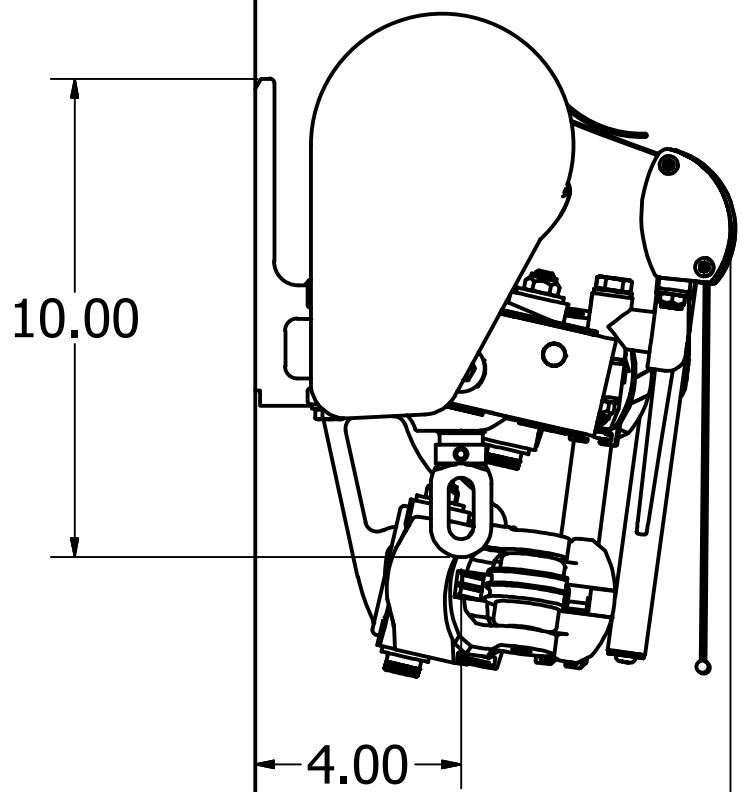
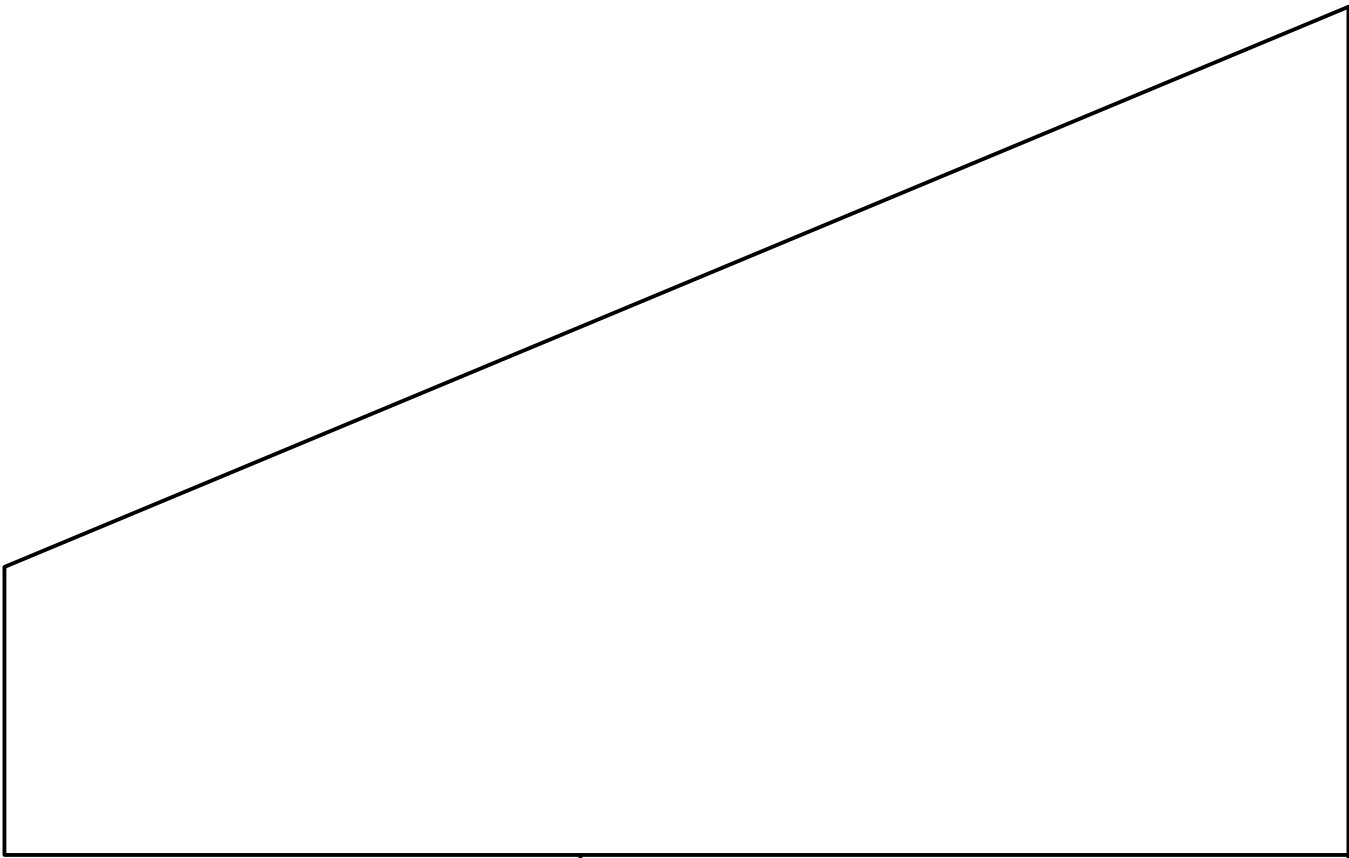
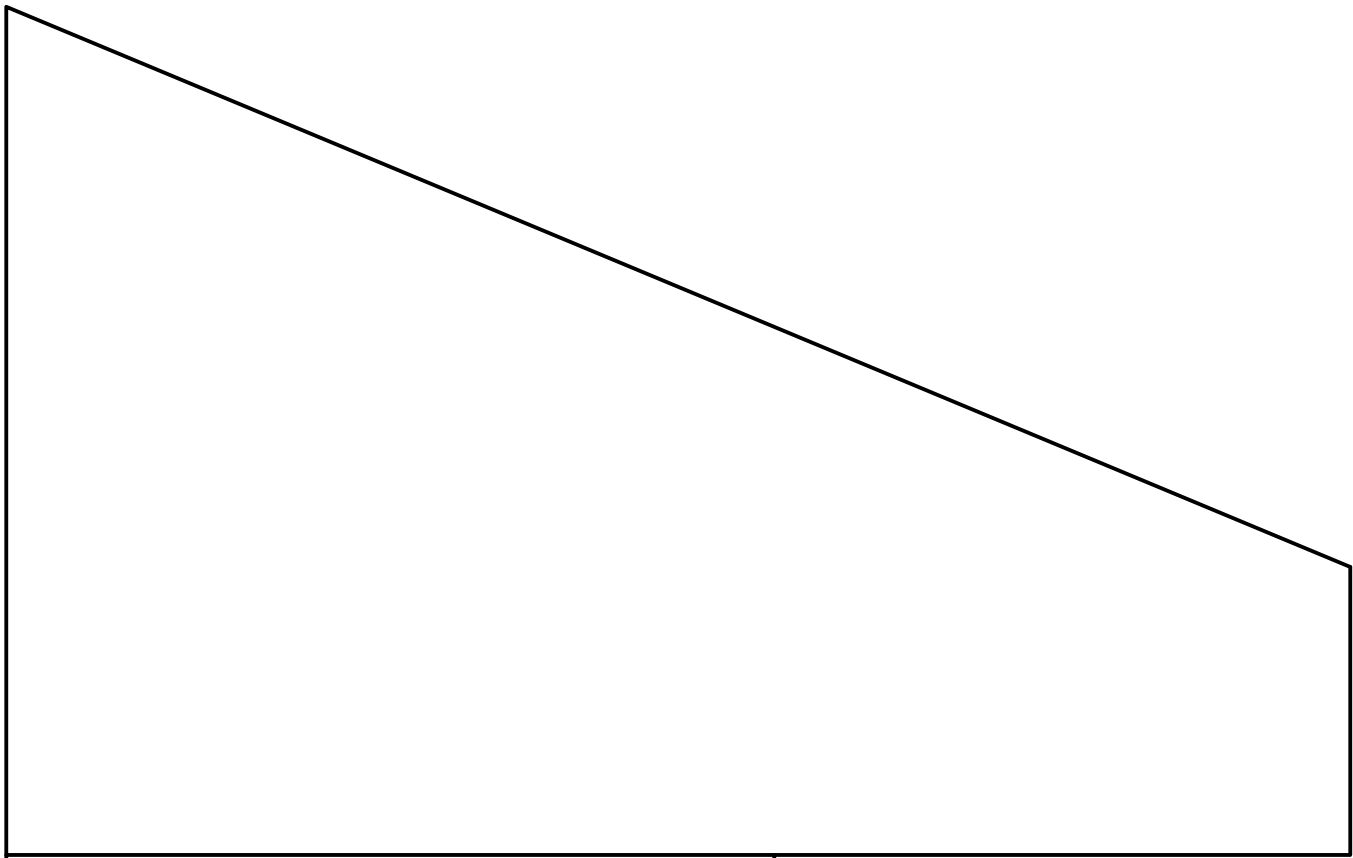
C

B

B

A

A



| | | |
|----------|------------------|-----------|
| DRAWN | Frank Uellenberg | 5/30/2023 |
| CHECKED | Paul Wade | |
| QA | | |
| MATERIAL | | |
| APPROVED | | |
| | | |
| | | |

| | | |
|---|--------------|-----|
| SunPro | | |
| TITLE | | |
| Awning Drop Arm Closed Side View | | |
| SIZE | DWG NO | REV |
| C | | 0 |
| SCALE | SHEET 1 OF 1 | |

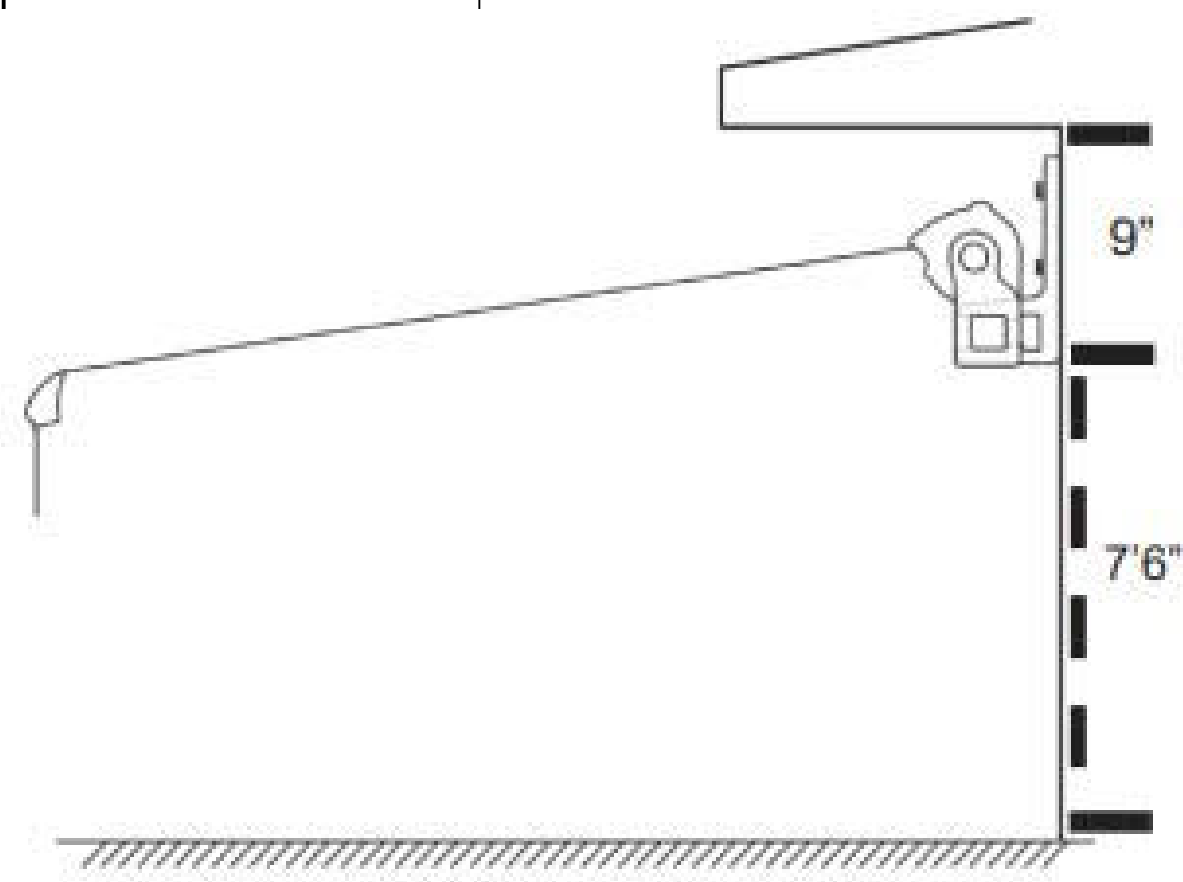
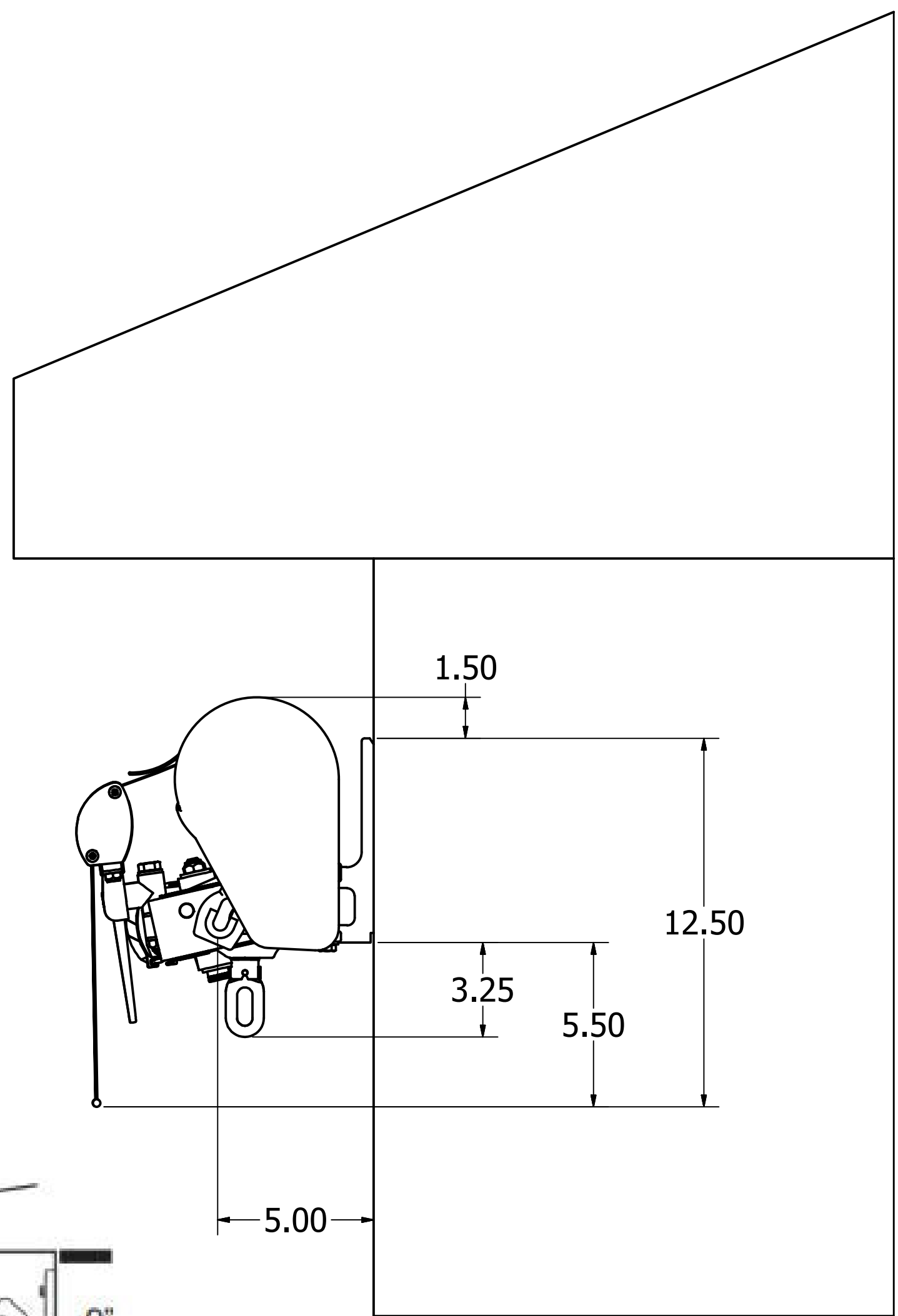
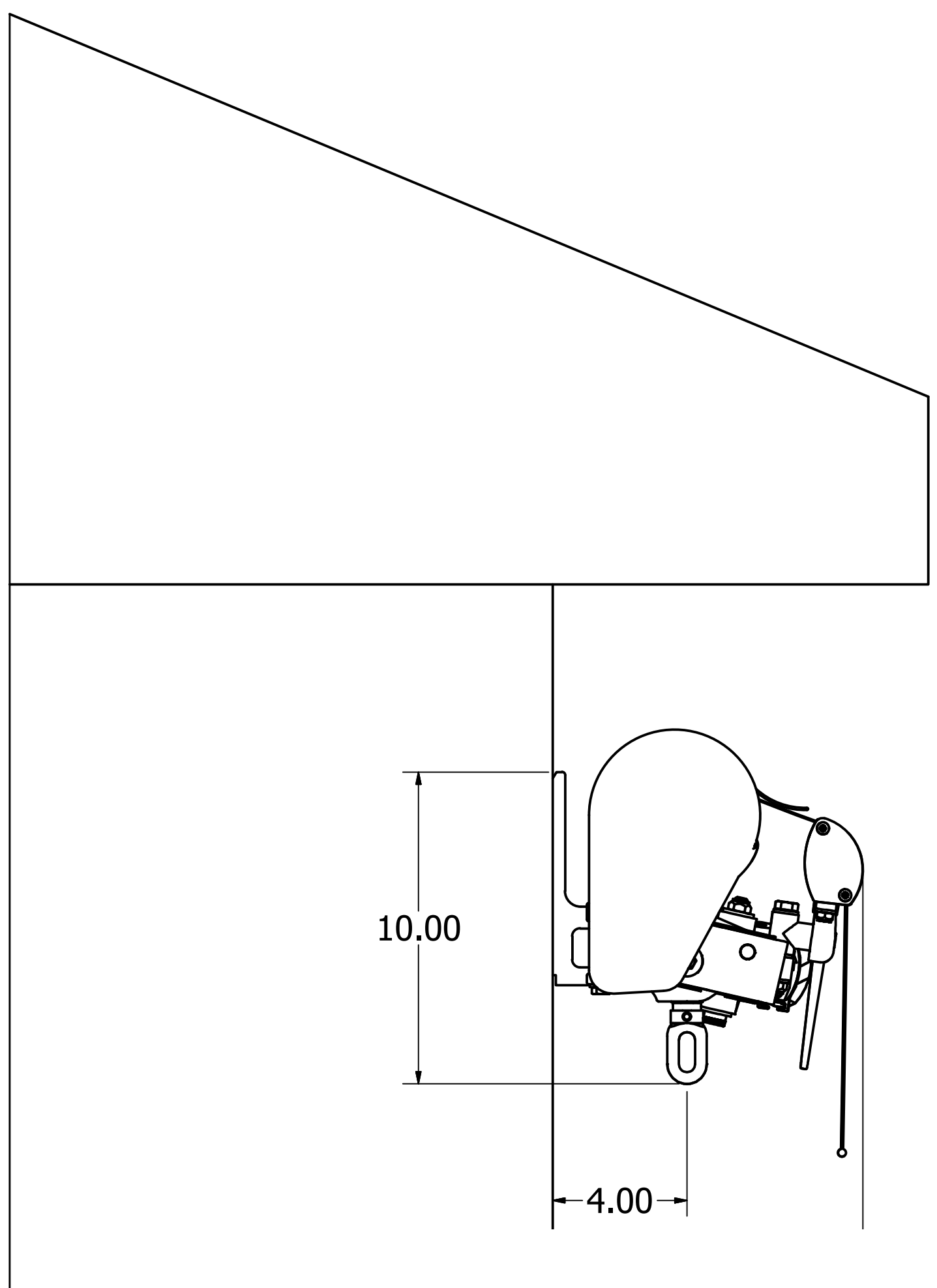
| REVISION HISTORY | | |
|------------------|-------------|------------|
| REV | DESCRIPTION | DATE |
| 0 | New Part | 05/30/2023 |

4 3 2 1

4 3 2 1

D
C
B
A

D
C
B
A



| REVISION HISTORY | | |
|------------------|-------------|------------|
| REV | DESCRIPTION | DATE |
| 0 | New Part | 05/18/2023 |

| | |
|---------------------------|-----------|
| DRAWN Frank Uellenberg | 5/18/2023 |
| CHECKED Paul Wade | |
| QA | |
| MATERIAL | |
| APPROVED | |

| | | |
|--------------------------------|--------------|----------|
| SunPro | | |
| TITLE | | |
| Awning-Closed-Side View | | |
| SIZE C | DWG NO | REV 0 |
| SCALE | SHEET 1 OF 1 | |

4 3 2 1